

★ ★ I N D E P E N D E N T ★ ★ F A B R I C A T I O N

CUSTOM FRAME ORDER GUIDE

This guide is designed to help you provide us with the information we need to build the bicycle of your dreams. Please fill out all of the included forms, and double check your information for accuracy.

Our Custom Frame Order Guide includes 6 sections:

Section 1: Rider Interview

Section 2: Frame Options and Ride Characteristics

Section 3: Body Measurements

Section 4: Bike Measurements

Section 5: Observations and Additional Information

Section 6: Paint and Decal Selection

Submit your completed forms to Independent Fabrication by fax or email and we will begin working on a unique design for your new bicycle. The design team will email an order form and frame drawing to you for approval. We are happy to make any changes necessary at that time. Once approved, we require a signed order form and a nonrefundable deposit (\$500 for chromoly steel frames, \$1000 for all others) to signify that your order is finalized. It's official! Your new bike will go directly into production.

PLEASE NOTE: A signature on the returned order form indicates that you agree with all of the information provided and will not make any further changes to your order.





SECTION 1: Rider Interview

Customer Name: _____ Date of Order: _____

Address: _____

Town: _____ State: _____ Zip: _____ Country: _____

Telephone: _____ Fax: _____ E-mail: _____

Shop Sales Person: _____ Shop Name: _____

FRAME MODEL

ROAD: Crown Jewel Club Racer Independence Gravel Royale Factory Lightweight SSR XS Corvid
 Steel Ti Steel Ti Steel Ti Steel Ti Steel Ti Oversized

CYCLOCROSS: Planet X SSX Ti Factory Lightweight CX Corvid Cross
 Steel Ti

MOUNTAIN: Deluxe Chubby D-Lux Ti Factory Lightweight MTB
 Steel Ti

STATEMENT OF GOALS (very important!)

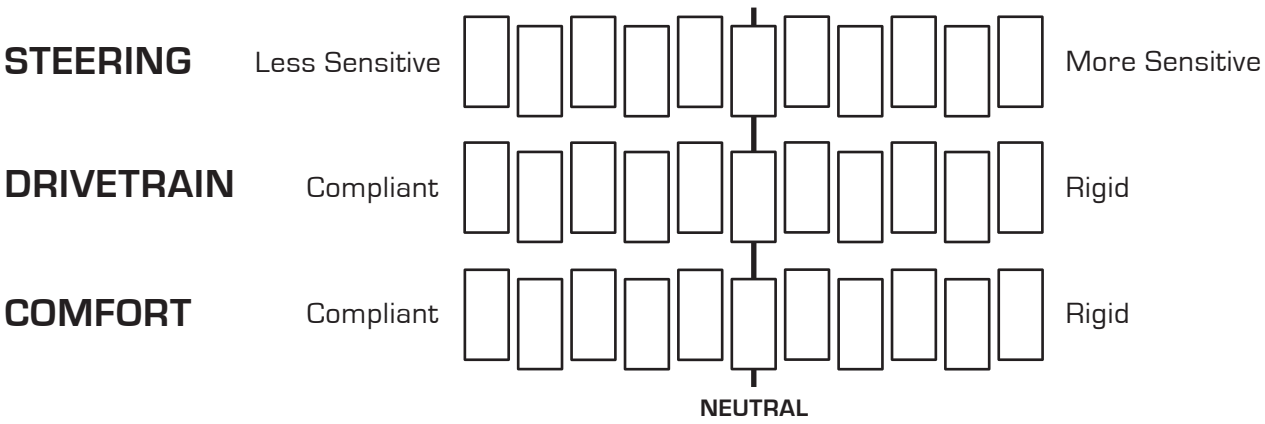
Describe what type of riding you plan to do on your new bike.

RIDING STYLE (Check all that apply)

- Road Racing
 - Crit Racing
 - UCI Races
 - Time Trials
 - Triathlons
 - Long Recreational
 - Short to Mid-Distance
 - Endurance Racing
 - Short Distance Tours
 - Long Distance Tours
 - Miles/Day _____
 - Miles/Week _____
 - Pedal through corners
 - Coast through corners
 - Usually climb standing
 - Usually climb seated
 - Prefer Stiff Ride
 - Prefer Soft Ride
 - Sweet Jumps and Wheelies
 - Other (please specify): _____
- Is Toe Clip Overlap OK? Yes No

RIDE FEEL PREFERENCES

Please indicate preference by making an **X** on the appropriate scales of ride feel qualities.





SECTION 2: Bicycle Preferences

Wheel Diameter 700c/29" 650b 26" 650c No Preference

Maximum tire size: _____

Gearing Derailleurs Single Speed Track/Fixed Gear Other _____

Fork choice Custom IF Steel ENVE Carbon Other _____

Top Tube Slope Horizontal Sloping No Preference

Stem Brand: _____ Model: _____ Size: _____

Headset Brand: _____ Model: _____

Handlebar Brand: _____ Model: _____ Size: _____

Saddle Brand: _____ Model: _____

Seat Post Brand: _____ Model: _____ Offset: _____

Cranks Brand: _____ Model: _____ Length: _____

NO COST FRAME OPTIONS

Brake Type

Mountain	Road	CX	Club Racer	Independence
<input type="checkbox"/> ISO Disc	<input type="checkbox"/> Short Reach Sidepull	<input type="checkbox"/> Cantilever	<input type="checkbox"/> Long Reach Sidepull	<input type="checkbox"/> Cantilever
<input type="checkbox"/> V-Brake		<input type="checkbox"/> V-Brake	<input type="checkbox"/> Cantilever	<input type="checkbox"/> Long Reach Sidepull
<input type="checkbox"/> Other: _____		<input type="checkbox"/> ISO Disc	<input type="checkbox"/> ISO Disc	<input type="checkbox"/> V-Brake
		<input type="checkbox"/> Other: _____	<input type="checkbox"/> Other: _____	<input type="checkbox"/> ISO Disc
				<input type="checkbox"/> Other: _____

Cable Routing

Shifters

Threaded "STI" bosses on down tube

"Old School" down tube (steel only)

Top Tube (CX/MTB)

No Preference

Other _____

Brake Location

Top of Top Tube

Bottom of Top Tube

No preference

Brake Type

Cable Stops

Zip Tie Guides

Through Hole Guides

Number of water bottle cage mounts 0 1 2 3

Rear Rack Mounts None Dropouts and Seat Stays Dropouts Only

Fork Rack Mounts (for IF steel forks only) None Dropouts Low Rider Bosses Other: _____

Rear Fender Mounts Yes No

Front Fender Mounts Yes No

Pump Peg Yes No

Other Notes: _____

EXTRA COST FRAME OPTIONS

- S&S Couplers
- Sterling Silver headbadge (standard on all ti, stainless, and carbon frames, and the Factory Lightweight)
- PressFit 30 BB (Standard on Corvid and Cross Jester, extra charge option on all other frames)
- 44mm Head Tube (Standard on XSOS, Corvid, and Cross Jester. Extra charge option on all other frames)
- Eccentric Bottom Bracket
- Adjustable Dropouts (Slider, Rocker, etc.)
- Disc Brake Dropouts for Road & Cross
- Prep for Electronic Shifting



SECTION 3: Body Measurements

Read the following carefully. If you have any questions, please don't hesitate to call us at (603) 292-5673. It is crucial that these measurements are filled in completely and accurately.

1. You should have another person help you with this measuring process.
2. The rider should dress in cycling shorts, jersey, and socks without shoes.
3. Repeat each measurement until you get a consistent answer.
4. You may measure in inches or centimeters, but please label clearly.

Weight _____

Age _____

Gender M F

A Height _____

Stand with back against a wall, feet shoulder width apart. Heels should rest against the wall with feet pointing straight ahead.

B Total Body Length _____

Stand with back against a wall, feet shoulder width apart. Measure from sternal notch to the floor.

C Inseam _____

Stand with your back against a wall. Place a hard cover book in between your legs, with the book bottom against the wall and the binding pressing up against your crotch, like a bicycle seat. Don't be afraid to pull up hard on the book, to mimic sitting on a bike. Measure from the floor up to the top of the book binding, perpendicular to the floor.

D Thigh Length _____

Same method as above [C], only rider is kneeling instead of standing, with thighs perpendicular to the ground.

E Arm Length _____

Hold your arm out to the side, parallel to the ground. Grip a pencil in your fist, perpendicular to your arm. Measure from the pencil to the posterior head of your acromion [shoulder bone].

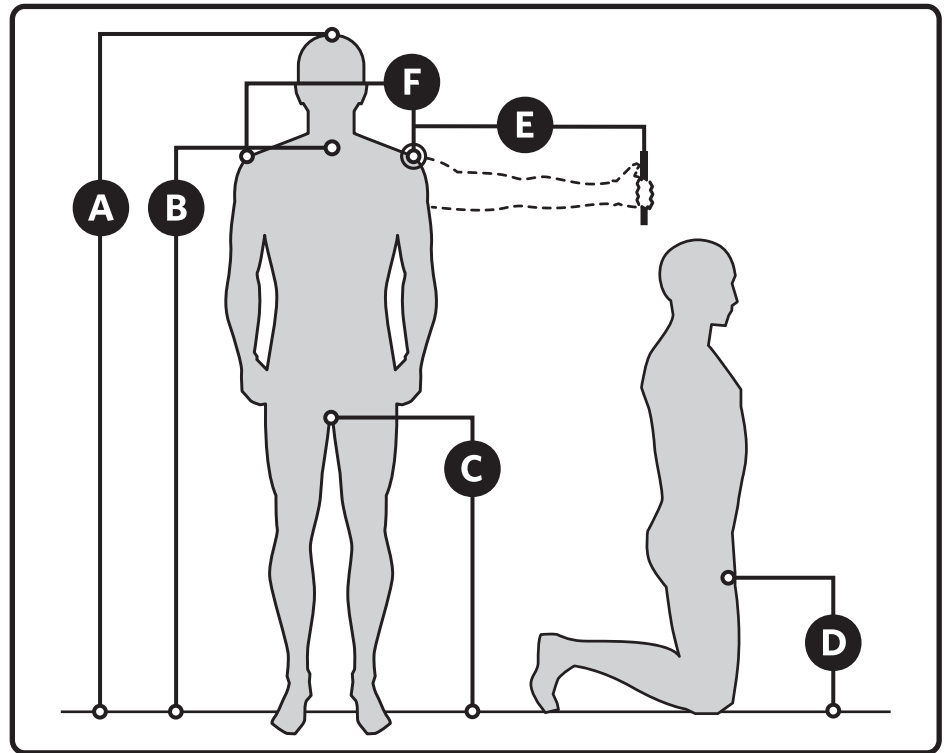
F Shoulder Width _____

Measure the distance from the outside of one shoulder to the outside of the other.

Foot _____

List shoe size [and brand of cycling shoe, if applicable].

Notes: _____





SECTION 4: Current Frame Measurements

Frame Make: _____ Model: _____ Year: _____

A Seat Tube Length: _____ cm

Measure from the center of the bottom bracket axle to the center of the seat tube/top tube junction.

B Top Tube Length (Select One):

Level Top Tube: _____ cm

Measure from the centerline of the head tube/top tube junction, along the top tube, to the centerline of the seat tube/top tube junction.

Effective Top Tube: _____ cm

Measure from centerline of the head tube/top tube junction, along a straight line parallel to the ground, to centerline of the seat post or a line extending through the seat post.

C Chain Stay length: _____ cm Measure from center of bottom bracket axle to center of rear axle.

Saddle Height: _____ cm Measure from center of bottom bracket axle to top of saddle along the centerline of the seat tube.

Saddle Position on Rails (select one):

Forward (Saddle is pushed towards stem)

Saddle Brand: _____ Model: _____

Center

Seatpost Brand: _____ Model: _____ Offset: _____

Back (Saddle is pushed rearward)

D Cockpit: _____ cm Measure from the centerline of the handle bar, back to the tip of the saddle.

E Saddle Offset: _____ mm

Saddle/Bar Drop: _____ cm The distance from the top of the saddle to the ground, less the distance of the centerline of handlebar to the ground.

Stem Length: _____ mm

Rise (in degrees): _____ Spacers: _____ mm Type: Threaded Threadless

Crank Length: _____ mm

Head Tube Angle (if known): _____

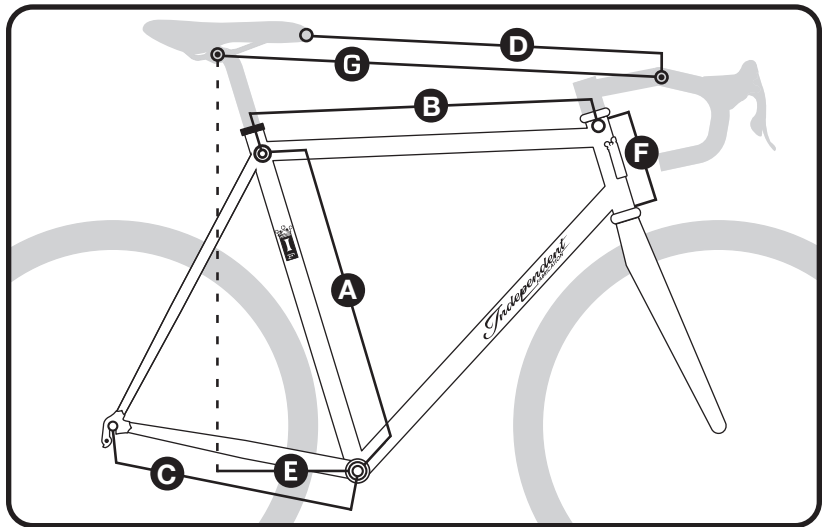
Seat Tube Angle (if known): _____

F Head Tube Length: _____ mm

Headset: Traditional Integrated

G Clamp to Bar Center: _____ mm

Handlebar X/Y: _____	(optional)
Saddle X/Y: _____	
Frame Stack: _____	
Frame Reach: _____	



Comments (VERY IMPORTANT!) Please describe the following:

The fit on your current bike: _____

Your likes and dislikes about your current bike: _____

Any pain or discomfort you experience while riding: _____



SECTION 6A: Color & Decals

STOCK PAINT JOBS AND COLORS

All steel frames are primed, painted, decaled, and clear-coated to the customer's specifications. All of our titanium frames are shot-peened first and then painted if and where applicable (for an additional cost). A brushed finish is also available on ti frames.

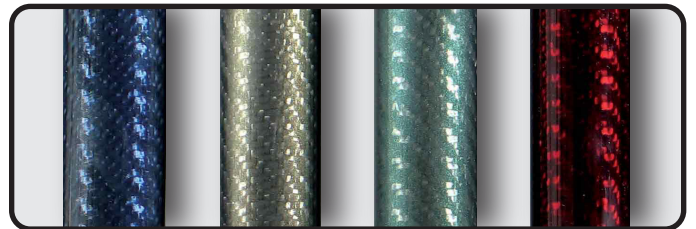
COLOR CHOICES

Stock colors include any of the 24 colors below. Any one color is included in the price of a stock paint job. Discontinued colors are not considered "stock" but they can be mixed on an individual basis. Any paint color can have a matte finish (for an additional cost).

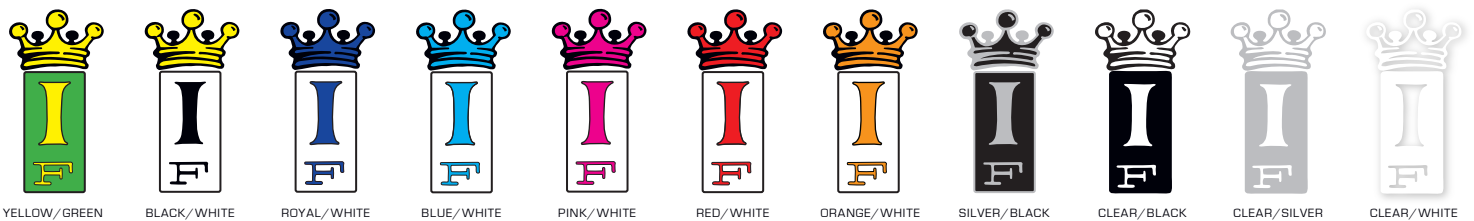


CARBON TINTS

Tint your carbon! We have 4 tints to choose from for all carbon fiber frames and forks: **BLUE, GOLD, GREEN, & RED.**



DECAL CHOICES



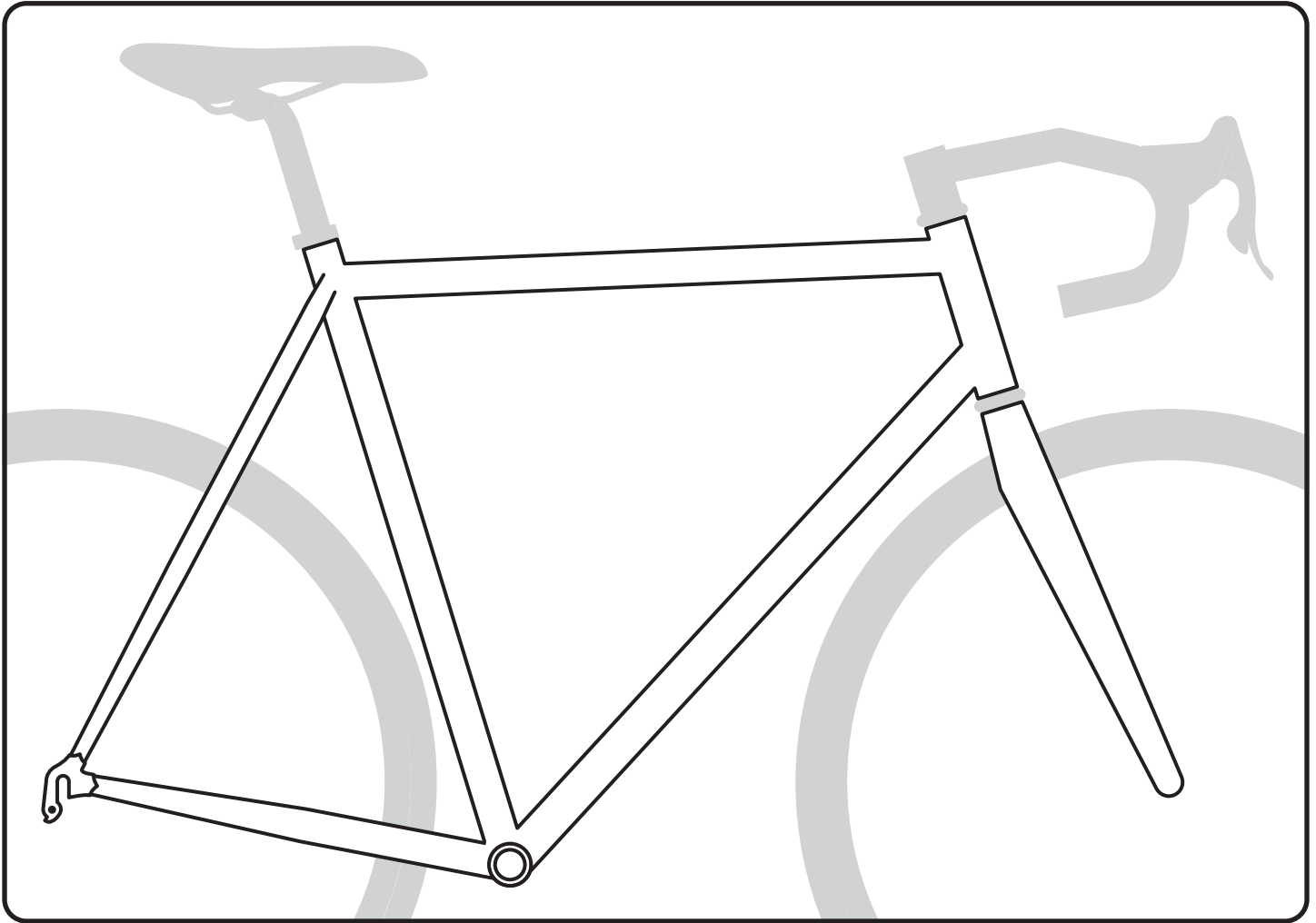
BOX DOWN TUBE LOGO: Available in all above decal colors.



SCRIPT DOWN TUBE LOGO: Available in Black, White, and Silver.



SECTION 6B: Paint Template



Color(s): _____

Decal choice: _____

Custom options: _____

Description: _____
